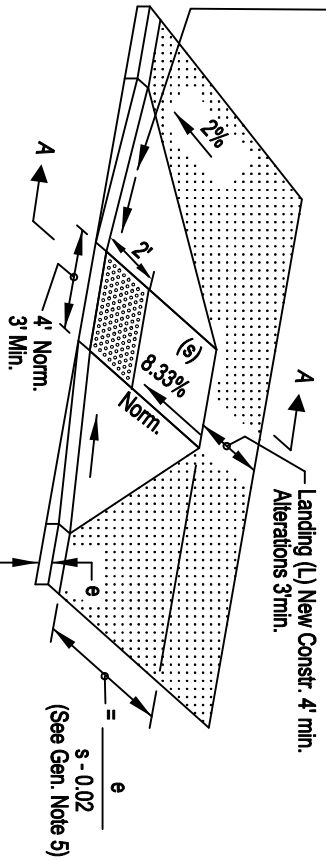
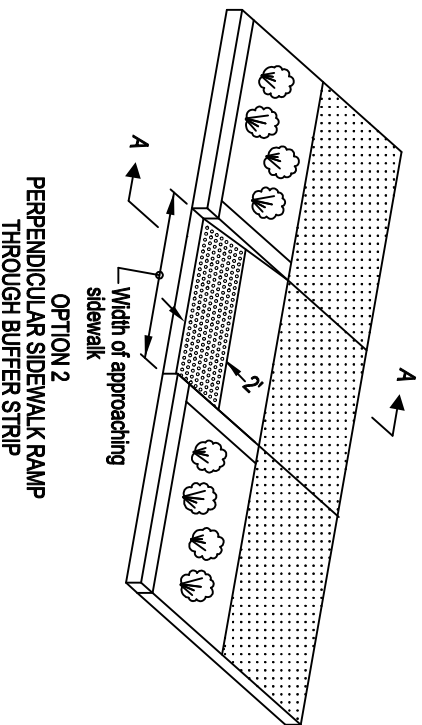


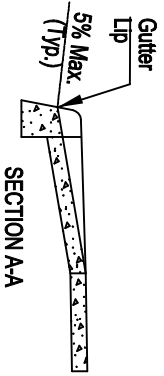
Flare slopes 10% for landings 4' or wider and 8.33% for landings between 3' and 4' wide.



OPTION 1
PERPENDICULAR SIDEWALK RAMP DETAIL
 (Use "Parallel or Combined Ramp Detail" when reqd. landing cannot be obtained)

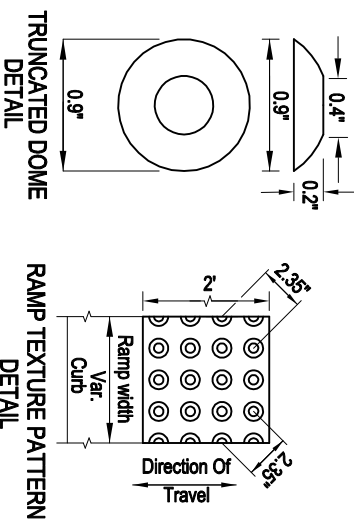


OPTION 2
PERPENDICULAR SIDEWALK RAMP THROUGH BUFFER STRIP



GENERAL NOTES:

1. Place truncated dome detectable warning texture in the lower 2' of throat of ramp only. Arrange domes using in-line pattern as shown in detail below. Color of texture to be safely yellow. For constr. of sidewalk ramps outside of public right-of-way, check State Building Codes requirements.
2. Sidewalk curb ramp slopes shown are relative to the true level horizon (zero bubble).
3. In alterations curb ramp slope(s) may be 10% for a max. rise of 6" or 12.5% for a max rise of 3". Curb ramps, in alterations, need not exceed 6' in length.
4. Side flares that are not part of the path of travel may be any slope.
5. Ramps for paths intersecting a roadway should be full width of path. When a ramp is used to provide bicycle access from a roadway to a sidewalk, the ramp should be 8' wide with no texturing.
6. Sidewalk ramp details are based on ORS 447.310 and the proposed ADAAG Section 14, June 20, 1994.
7. When 2 curb ramps are immediately adjacent, the curb exposure (e) between the adjacent side flares may range between 3" and full design exposure.
8. For the purpose of this drawing, a curb ramp is considered "perpendicular" if the angle between the longitudinal axis of the ramp and a tangent to the curb at the ramp center is 75° or greater.
9. Tooled joints are required at all sidewalk ramp slope break lines.
10. Sidewalk flare is not necessary where the ramp is protected from pedestrian cross-travel.



<p>The selection and use of this Standard Drawing, while designed in accordance with generally accepted engineering principles and practices, is the sole responsibility of the user and should not be used without consulting a Registered Professional Engineer.</p>	
<p>NOTE: All material and workmanship shall be in accordance with the current Oregon Standard Specifications</p>	
<p>OREGON STANDARD DRAWINGS CITY OF HOOD RIVER SIDEWALK RAMP DETAILS SHEET 1</p>	
DATE	REVISIONS
12-02	2002
	DESCRIPTION
	City of Hood River Modifications