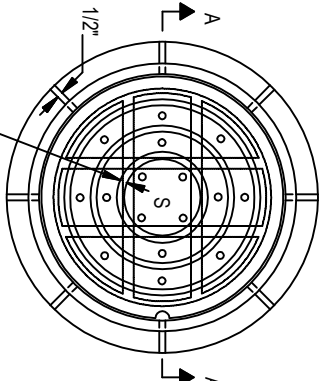


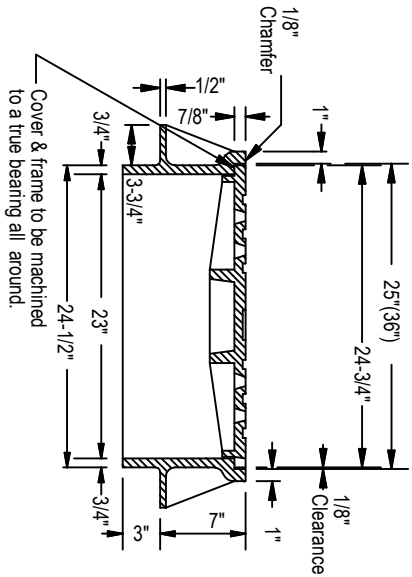
STANDARD MANHOLE COVER & FRAME

Approximate weight
Cover 140 lb
Frame 240 lb



Note:
Coat outside of frame with asphalt,
where frame is to be placed in conc.
pvtl., conc. gutter, or walk.

PLAN



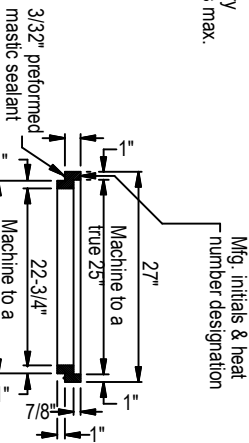
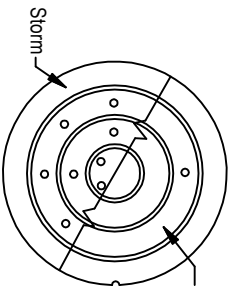
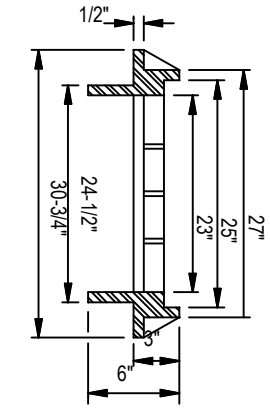
Cover & frame to be machined
to a true bearing all around.

36" min. diameter cover is reqd.
for manholes with depths of 20' or
greater.

SECTION AA

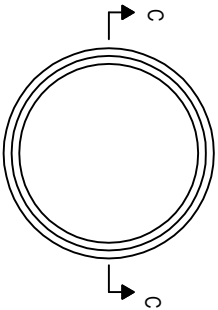
SUBURBAN MANHOLE COVER & FRAME

For use on local streets
only, as specified
(approx. wt. - 300 lb)

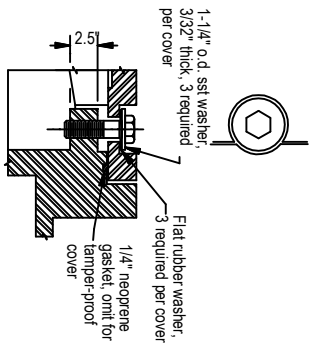


SECTION C-C

**MANHOLE
ADJUSTMENT RING**



**BOLT-DOWN DETAIL
(FOR TAMPERPROOF AND WATERTIGHT)**



Note:
3 reqd., 1/2"x1-1/4" pentagonal or hexagonal
head, bronze or stainless steel. Install frame
so that one bolt boss is located over the
manhole ladder.

1. Covers for sanitary manholes shall have 2 holes maximum.
2. Watertight covers required if located where cover may be submerged. (no holes)
3. Frames and covers shall be stamped with manufacturer's initials, heat number and point of origin.

Notes:

Std. depths 1-1/2", 2", 2-5/8", 3"
Matl. to be grey cast iron ASTM A-48, Class 30
Tolerance on non-machined surfaces to be 1/16"

NOTE: All material and workmanship shall be in accordance with the current Oregon Standard Specifications	
OREGON STANDARD DRAWINGS	
CITY OF HOOD RIVER	
MANHOLE COVER & FRAMES	
DATE	REVISIONS
12-02	2002
City of Hood River Modifications	

The selection and use of this Standard Drawing, while designed in accordance with generally accepted engineering principles and practices, is the sole responsibility of the user and should not be used without consulting a Registered Professional Engineer.